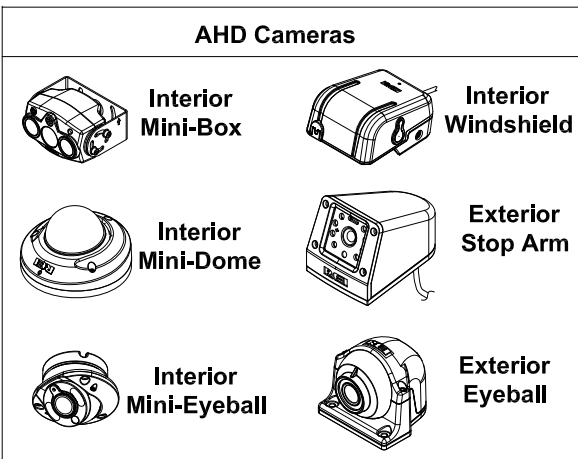
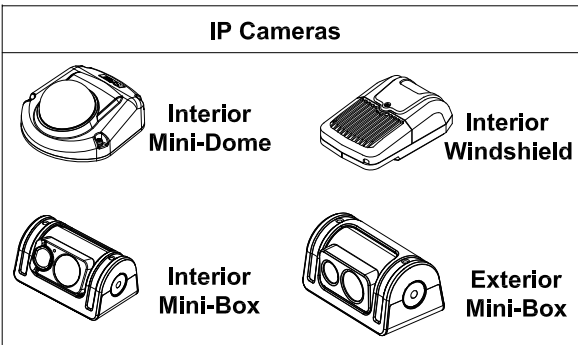


HD6-SERIES MDVR System Diagram

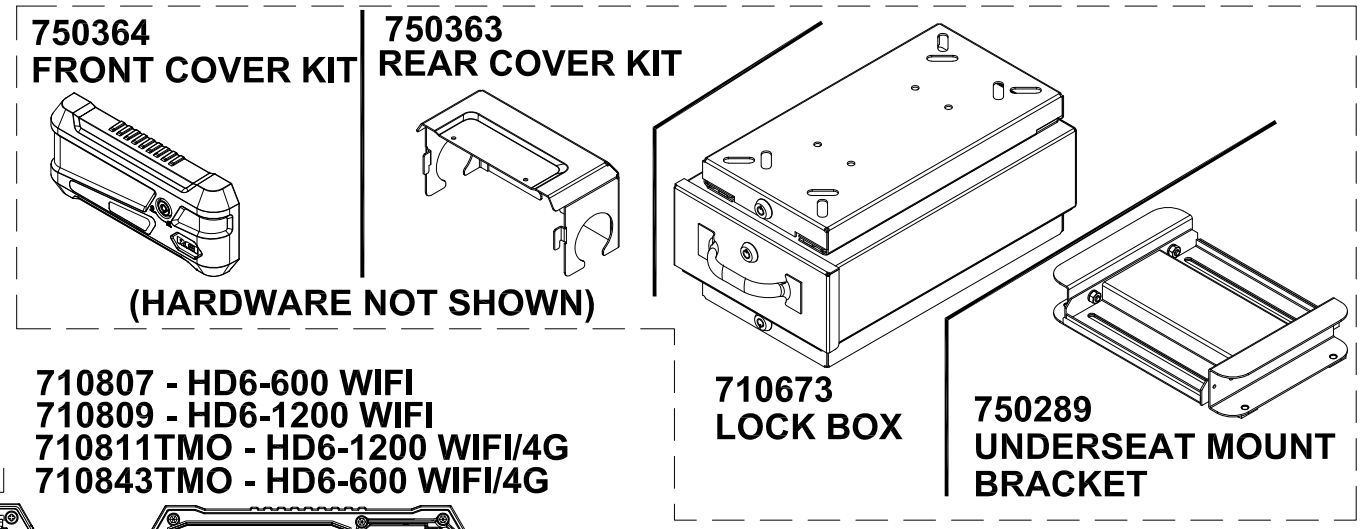
IP Cameras				
Style	Part Number	Lens (mm)	HFOV	IR
Interior Mini-Dome	710812	2.8	110°	
	710829	2.8	110°	✓
Interior Mini-Box	710802	1.8	165°	✓
Interior Windshield	710805	2.8	115°	✓
Exterior Mini-Box	710803	2.8	110°	✓
	710804	4	90°	✓

AHD Cameras				
Style	Part Number	Lens (mm)	HFOV	IR
Interior Mini-Box	710678	8	40°	✓
	710677	6	55°	✓
	710676	4	85°	✓
	710714	4	85°	✓
	710715	2.8	115°	✓
	710716	2.8	115°	✓
Interior Mini-Dome	710675	1.8	180°	✓
	710813	1.8	180°	✓
	710689	4	85°	✓
Interior Mini-Eyeball	710688	2.8	115°	✓
	710734	2.8	115°	✓
Interior Windshield	710816	1.8	180°	✓
Exterior Rear Stop Arm	710764	2.4	115°	✓
Exterior Forward Stop Arm	710684	16	20°	✓
Exterior Eyeball (Black)	710685	16	20°	✓
	710671	6	55°	✓
Exterior Eyeball (Yellow)	710670	4	85°	✓
	710669	2.8	115°	✓
	710827	4	85°	✓

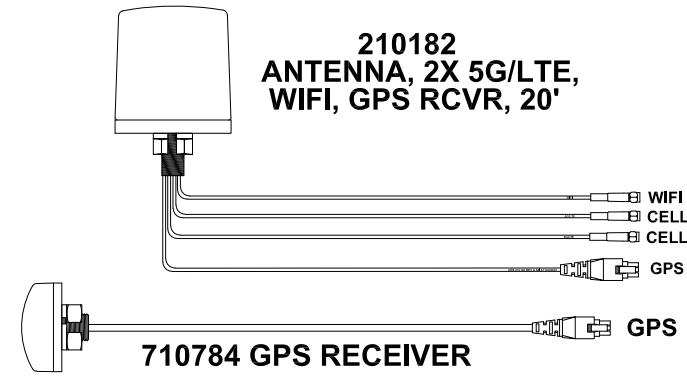


HD6 IP CAMERA CABLES
 512981 - 6 ft.
 512982 - 15 ft.
 512983 - 25 ft.
 512984 - 40 ft.
 512985 - 60 ft.

HD6 CAMERA CABLES
 512167 - 15 ft.
 512168 - 25 ft.
 512169 - 40 ft.
 512170 - 60 ft.

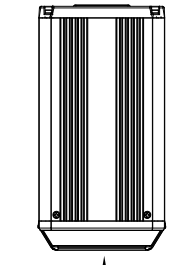
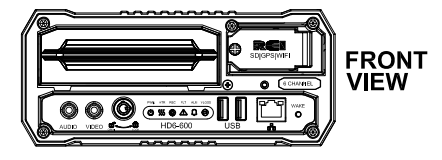
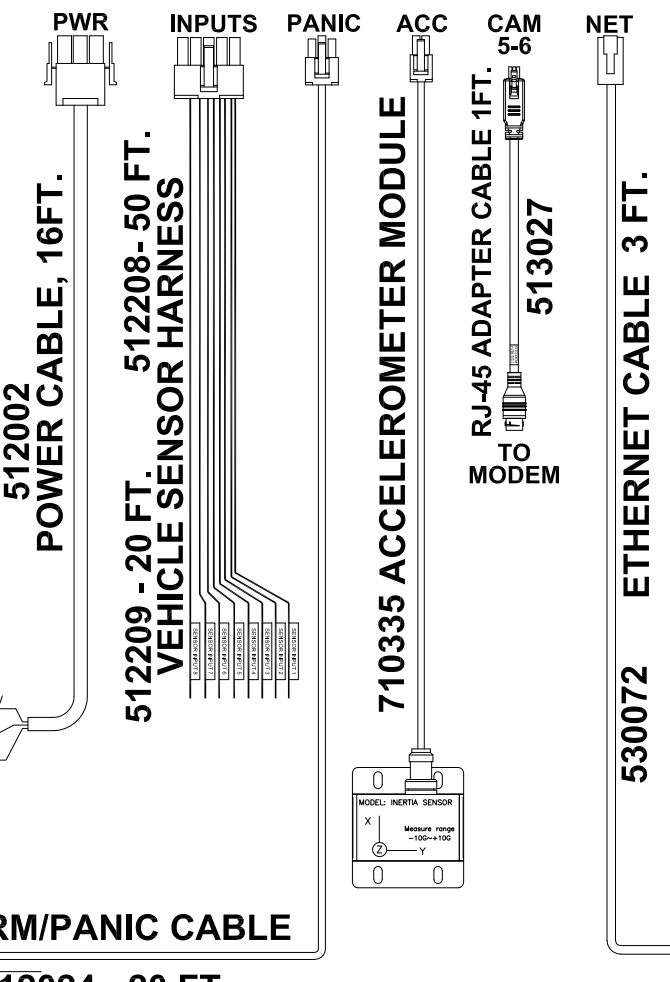
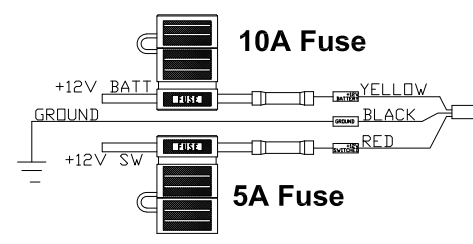


710807 - HD6-600 WIFI
 710809 - HD6-1200 WIFI
 710811TMO - HD6-1200 WIFI/4G
 710843TMO - HD6-600 WIFI/4G



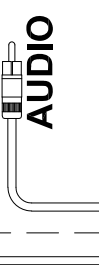
ANTENNA OPTIONS	
Function	Part Number
GPS only	710784
GPS/CELL	210181
GPS/WIFI/CELL	210182

OPTIONAL NOT SHOWN
 512432 - J1939 CABLE 'Y'
 512916 - HARN, J1939 RPTR, 500K 16'
 710429 - OUTPUT MODULE
 710539 - RFID MODULE
 710654 - SAMSUNG GLXY TAB 8"

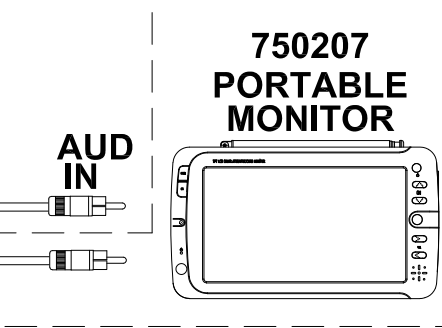
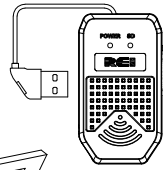


HDD MODULE
 710638 - 500 GB
 710639 - 1 TB

SSD MODULE
 710640 - 500 GB
 710641 - 1 TB
 710642 - 2 TB
 710818 - 4 TB

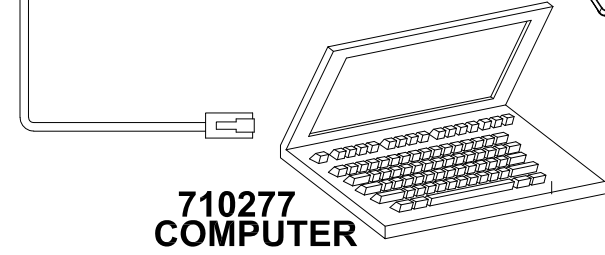


710610 WIFI USB DONGLE FOR HD5 DVR



REI APPROVED SD CARDS
 690695 - 64 GB
 690820 - 128 GB
 690821 - 256 GB
 690827 - 512 GB

USB FLASH DRIVE 690647 **USB READER**



ALARM/PANIC CABLE
 OEM 512024 - 20 FT.
 512025 - 40 FT.
 AFTERMARKET 511986 - 20 FT.
 512023 - 40 FT.